



PUMP 242000 SERIES

For Oil or Grease.

PRODUCT DATA SHEET

242000

ENGLISH

DESCRIPTION:

The 242 series lubrication pumps are particularly suited to the heavy industrial sector, with its features of long life, safe and constant functioning and reduced maintenance being indispensable for ensuring a perfect and efficient lubrication of machinery working under heavy and demanding conditions, and in particular where continuous operating is required to ensure a high level of production.

By selecting from a range of perfectly compatible and easily assembled components it is possible to vary the pressure, the quantity of lubricant delivered, the type of lubricant or the type of distribution.

The complete machine, mounted on a base, can be considered a true central lubrication unit with its high performance permitting an extensive layout and a high number of lubrication points.

This lubrication unit is made up of:

- a pump assembly with a robust cast aluminium pump body housing a pump element assembly with hardened, ground and lapped steel pistons.
- Three phase electric motor: 220/380V – 50 Hz-0.75 kW.
- Reduction gearbox in light alloy with a bronze helical gear wheel and a hardened and ground steel shaft. Available in three versions, with 1:10 ratio for a capacity of 450 cm³/min; 1:20 for a capacity of 225 cm³/min and 1:40 for a capacity of 110 cm³/min.
- A tank of 65 Kg (65 daN) for grease and 65 litres for oil, mounted on a support flange equipped with a lubricant reserve and minimum level signalling device and a tank filling valve (only for grease tanks)



- Electromechanical inverter to control the inversion of the lubrication lines (24V – 50 Hz solenoids standard, other voltages and frequencies on request).
- Non-return valve assembly, delivery filter and pressure regulator, mounted on the pump element assembly outlet.

Versions

Motor-driven pump		Capacity (cc/min)	Reduction gearbox	Ratio	Motor	
Oil	Grease				RPM	HP
242521	242501	450	242210	1/10	1500	1
242522	242502	225	242220	1/20	1500	1
242523	242503	110	242240	1/40	1500	1
242531	242511	450	242210	1/10	1500	1
242532	242512	225	242220	1/20	1500	1
242533	242513	110	242240	1/40	1500	1

Spare parts

Code	Description
3301129	Electric Motor
242142	Coupling, Unidirectional
242210	Reduction Gearbox 1/10
242220	Reduction Gearbox 1/20
242240	Reduction Gearbox 1/40
230002	Coupling, flexible
242050	Pump assembly
242030	Assembly, valve/filter/pressure regulator grease
242045	Assembly, valve/filter/pressure regulator oil
85180	Inverter, electromechanical

SPECIFICATION:

Operating pressure:	up 15Mpa (150 bar) (2205 psi.)
Pump capacity:	max 450 cm ³ /min
Tank capacity:	65 litres (oil), 65 kg. (grease)
Motor:	3 ph: 220/380V – 50 Hz 1500 rpm – 0,75 kW
Reduction ratios:	1:10, 1:20, 1:40
By-pass setting:	120 bar (with internal setting system)
Min. Work time (sec):	24 (min. pause time 96 sec)
Operating temp.:	- 5°C + 40°C
Max weight kg:	140
Lubricant:	Oil viscosity 100 cSt min. Grease NLGI 2*
Grade of protection:	IP55
Insulation:	Class F

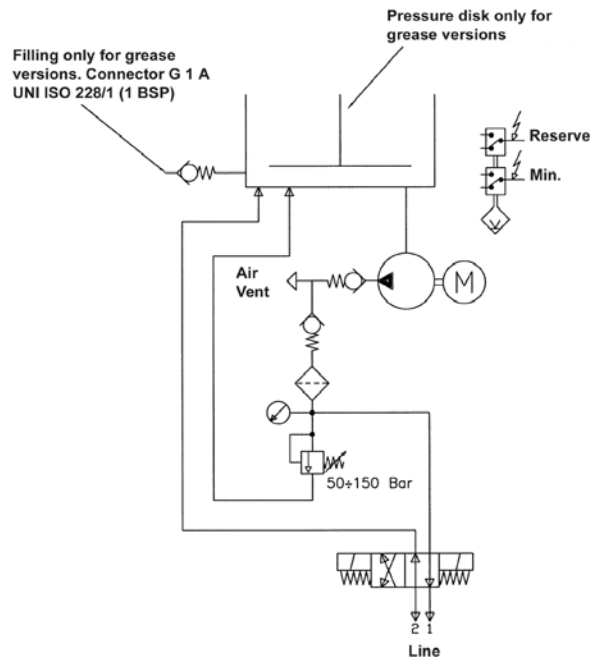
* at the operating lubricant temperature between -20°C to +100°C

Pressure Gauge.

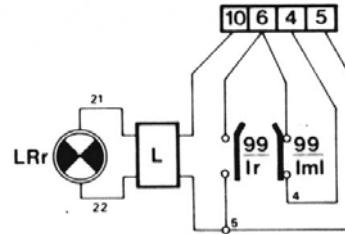
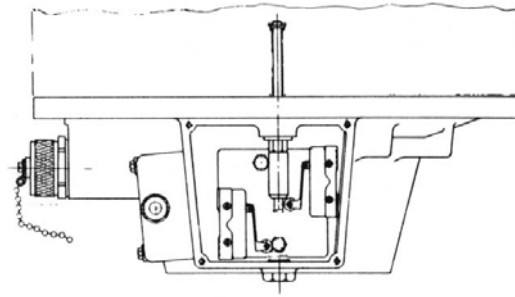
Only one version is provided .
Part No. 20554 300 bar

INSTALLATION/OPERATION:

Hydraulic diagram



Electrical diagram

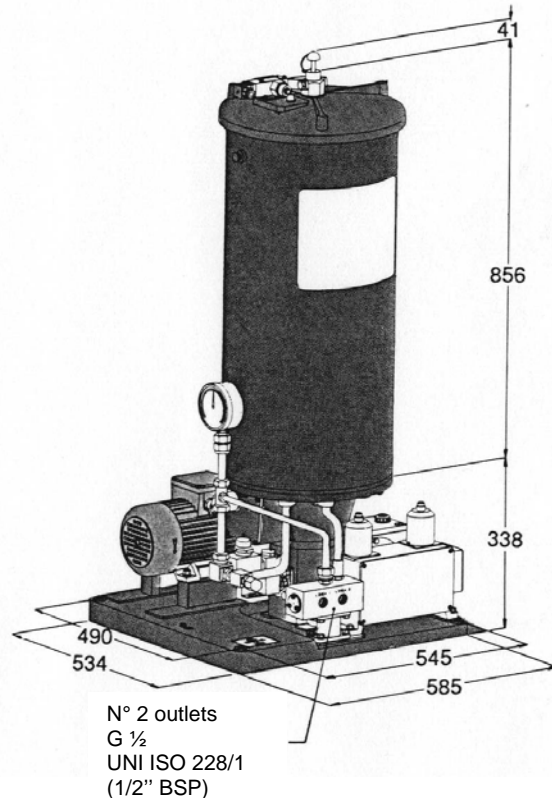


Electrical connections diagram

LRr	.Red luminous signal
L	.Blinker
99	.Reserve switch
r	
99	.Minimum level switch
lml	

Electrical power supply:	220 - 380 V 50 Hz
Absorbed power:	Approx. 0.75 kW

Dimensions



ITALY
Dropsa SpA
t.(+39) 02-250791
f.(+39) 02-25079767

U.S.A.
Dropsa Corporation
t.(+1) 586-566-1540
f.(+1) 586-566-1541

BRAZIL
Dropsa
t.(+55) 011-563-10007
f.(+55) 011-563-19408

AUSTRALIA
Dropsa Australia Ltd.
t.(+61) 02-9938-6644
f.(+61) 02-9938-6611

SPAIN
Polydrop, S.A.
t.(+34) 93-260-22-50
f.(+34) 93-260-22-51

U.K.
Dropsa (UK) Ltd
t.(+44) 01784-431177
f.(+44) 01784-438598

GERMANY
Dropsa GmbH
t.(+49) 0211-394-011
f.(+49) 0211-394-013

FRANCE
Dropsa Ame
t.(+33) 01-3993-0033
f.(+33) 01-3986-2636